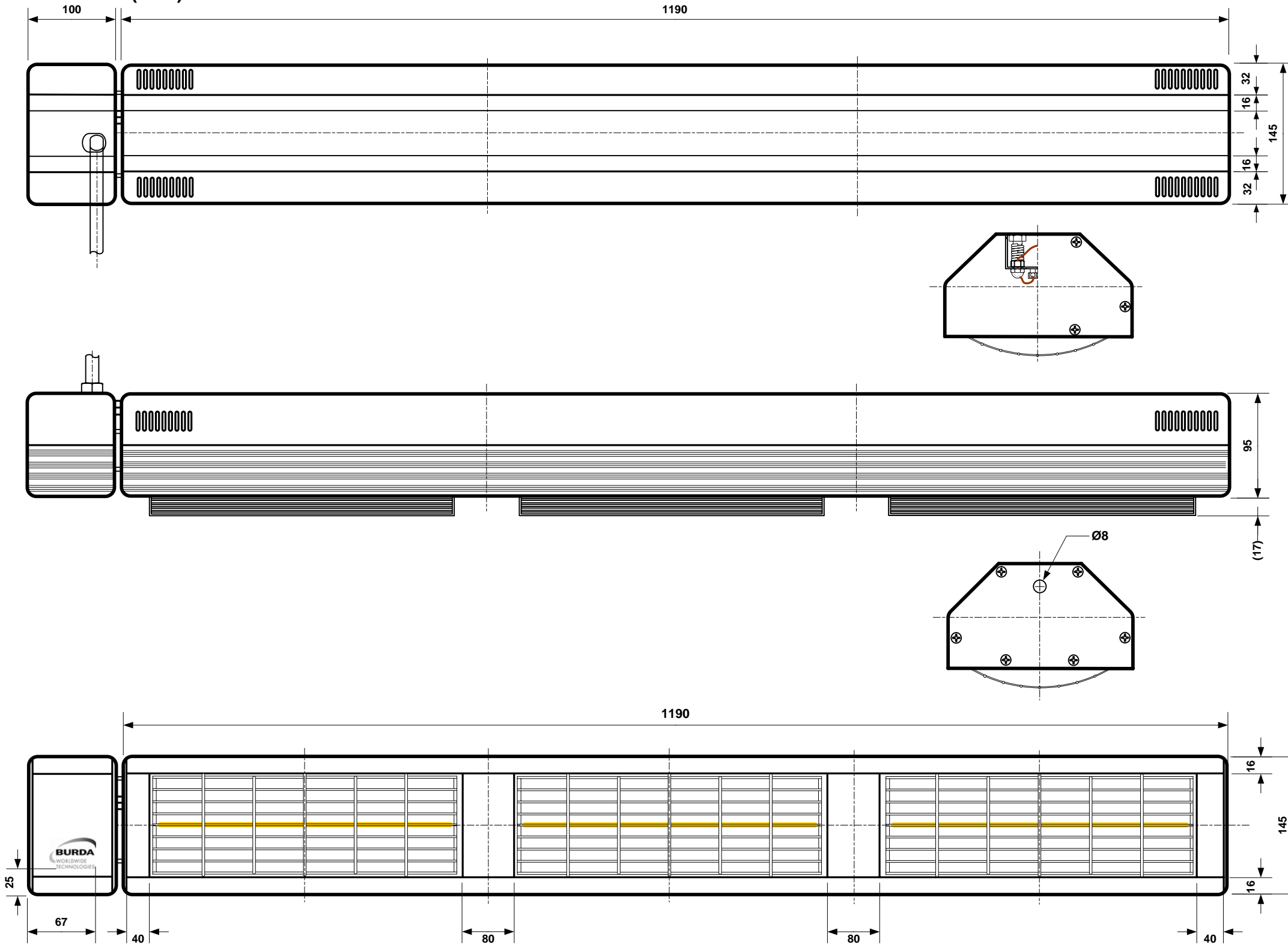
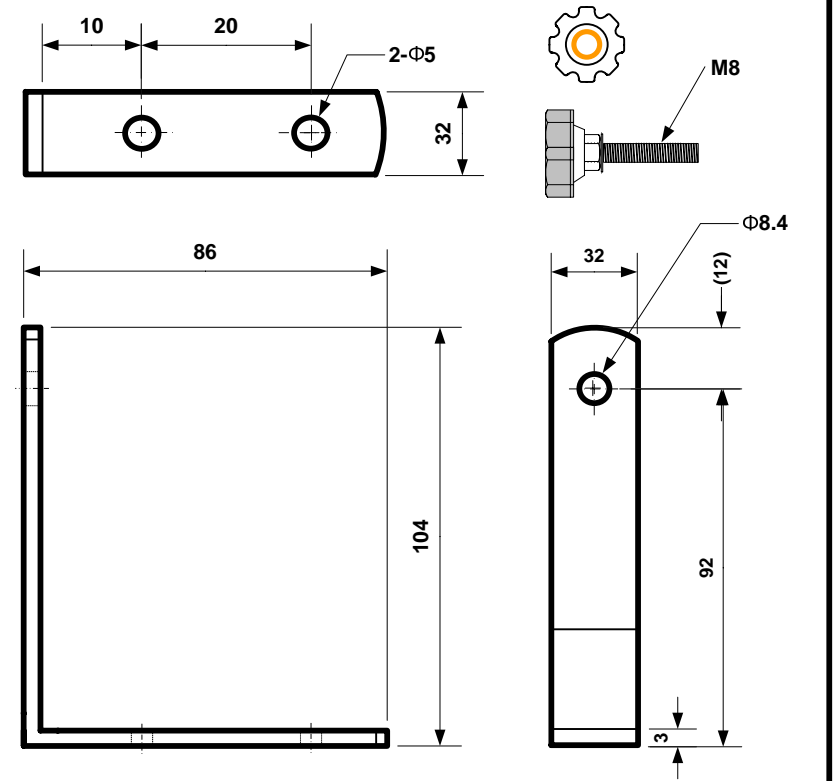
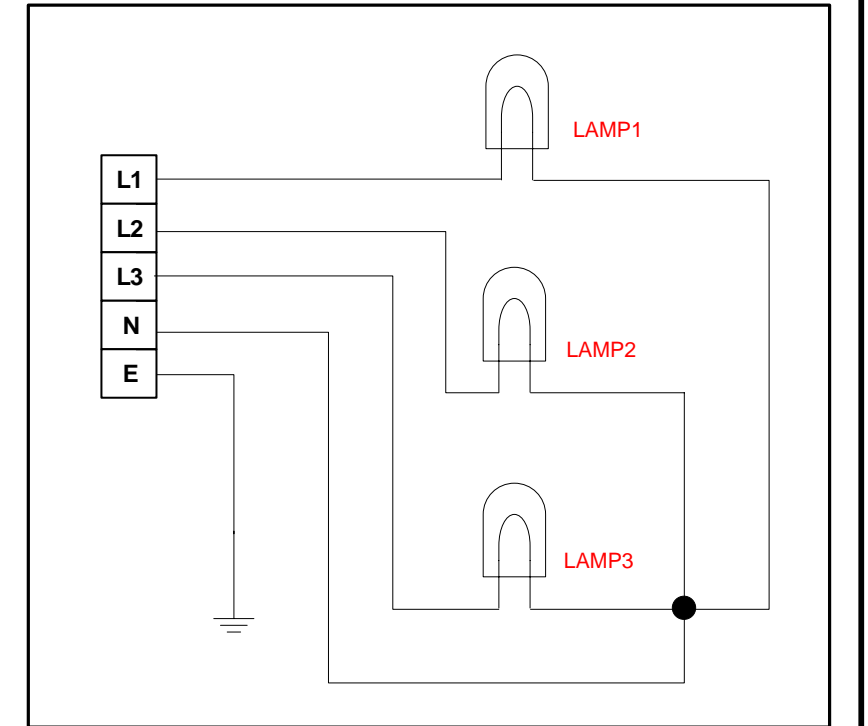


SMART 6000 (IP24)



수정 내용			
수정	설명	날짜	승인
1	BURDA 로고 삽입 및 치수기입	2010. 12. 30	
2	Material LIST 수정(각 부품별 재질 입력)	2010. 12. 30	
3	제품도면 좌/우 대칭 수정	2010. 12. 30	



SPEC

- 1) Voltage : 230~240V
- 2) Wattage : 6000W
- 3) Lamp Color Temperature (Coated) : 1600 ± 200K
- 4) Total Weight : 6Kg

WORKING CONDITION

- 1) Burning Position : Within Horizontal ±5°
- 2) Burning Cycle : Continuous or Intermittent
- 3) Burning Voltage : 230~240V ± 10%
- 4) Frequency : 50/60 Hz

LIFE

- 1) Life time : 5,000 hour (Normal Condition)

NO	ITEM	MATERIAL	Q'TY	SPEC
1	Body	Aluminum (AL 6063)	1	t=2.0
2	Bracket	SPCC (PO.SS#41)	1	t=2.0
3	Lamp	Quartz	3	230V 2000W
4	Reflector	Aluminum (AL SB#1050)	1	T=0.5
5	Safety grill	Stainless steel (SUS #201)	1	Φ 1.55 Cr Plating
6	Cable socket	Plug type	1	Rubber (white) 230V 16A 2.5mm ² x5core (3m)
7	Fix prop	SPCC (PO. SS#41)	1	t=3.0

TITLE : SMART 6000 IP24		NO	DESCRIPTION	MAT'L	FINISH	Q'TY	REMARK
THIRD ANGLE	UNIT : mm						
PROJECTION	SCALE : FREE	도면등록 NO		도면에 지정되지 않은 일반공차			
DRAWN	DESIGNED	CHECKED	APPROVED	HAD-AQ-133	C급	B급	A급
				품번	±0.05	±0.10	±0.05
					±0.35	±0.20	±0.07
					±0.50	±0.30	±0.10
					±0.90	±0.55	±0.16
				개정차수	±1.50	±0.90	±0.30
				0	±2.50	±1.50	±0.50
							1-4 mm 미만
							4-16
							16-23
							63-250
							250-500
							500-1000

HANA
HANA HALOGEN CO.,LTD